

FEATURES

- Integral Three Position Manual On/Manual Off and Automatic Control Toggle Switch
- Transient Protection: Meets the requirements of IEEE 472, "Surge Withstanding Capability Test"
- UL, CSA Certified
- Optical Isolation
- G5 Modules Provide Replaceable 5x20 mm Glass Fuse
- Built-in Status LED



Maximum Current Versus Ambient Temperature

The chart indicates continuous current to limit the junction temperatures to 100°C. Information is based on steady state heat transfer in a two cubic foot sealed enclosure.

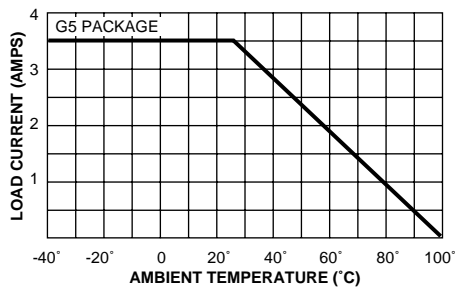
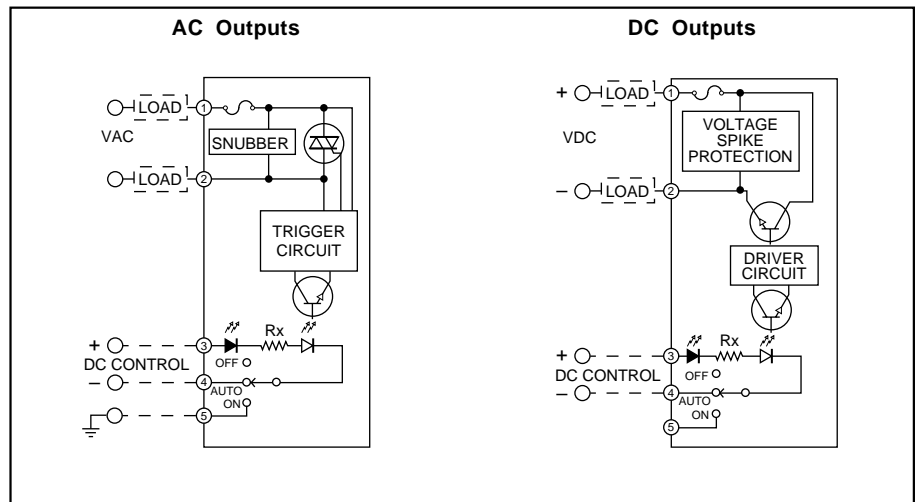


Figure 1

CIRCUITRY



Maximum Peak Surge Current Versus Surge Duration (AC Outputs)

Information is based on a supply frequency of 60 Hz sinusoidal and a resistive or inductive load. Application of maximum surge current may not be repeated until the module temperature has returned to its steady state value.

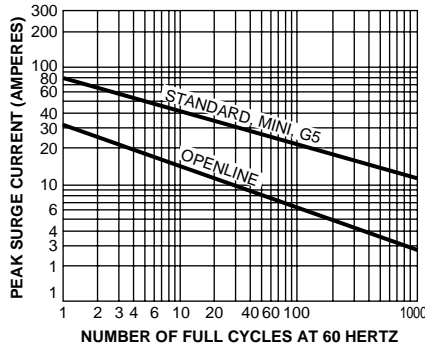


Figure 2

DIMENSIONS

For complete dimensional drawings, see pages H-4 or H-5.

FUSES

G5 Fuses are 5 Amp Littelfuse part number 217005 or equivalent.

Fuse kits available, see page H-106.

SPECIFICATIONS: All Modules*

<p>Output Specifications Load Current Range (rms): 0.03 to 3.5 Amps, Maximum current is derated as shown in Figure 1. Maximum Surge Current (peak): 80 Amps at 60 Hz, 1 cycle as qualified by Figure 2 for AC outputs. 5 Amp maximum for 1 second for DC outputs. Turn-on Time (60 Hz): 8.3 mSec maximum for AC outputs. 20 µSec maximum for DC outputs. Turn-off Time (60 Hz): 8.3 mSec maximum</p>	<p>for AC outputs. 50 µSec maximum for DC outputs. ON State Voltage Drop (peak): 1.5 volts max. Power Dissipation: 1.0 Watt/Amp typical</p> <p>General Characteristics Isolation Voltage Field to Logic: 4000 Vac (rms) minimum Vibration: 20 G's peak or .06" double amplitude 10–2000 Hz per MIL–STD–202, Method 204, Condition D</p>	<p>Mechanical Shock: 1500 G's 0.5 mS half-sine per MIL–STD–202, Method 213, Condition F Storage Temperature Range: -40°C to +125°C Operating Temperature Range: -40°C to +100°C</p>
---	--	--

*Specifications apply over operating temperature range unless noted otherwise.

SPECIFICATIONS: By Part Number

AC Outputs

Type/Function		Grayhill Part Number			
G5, Zero Voltage Turn On, Manual Override		70G-OAC5MA	70G-OAC5AMA	70G-OAC24MA	70G-OAC24AMA
Specifications	Units				
Nominal Line Voltage	Vac	120	240	120	240
Load Voltage Range	Vac	24-140	24-280	24-140	24-280
Minimum Peak Blocking Voltage	Volts	400	600	400	600
Maximum Off-state Leakage @ 60Hz	mA, rms	2	4	2	4
Nominal Logic Voltage (Vcc)	Vdc	5	5	24	24
Logic Voltage Range	Vdc	4-6	4-6	18-32	18-32
Max. Logic Supply Current @ Nominal Vcc	mA	20	20	8	8
Nominal Input Resistance (Rx)	Ω	100	100	2700	2700
Minimum Drop-Out Voltage	Vdc	1	1	1	1
Maximum Reverse Logic Voltage	Vdc	-5	-5	-5	-5
Maximum Zero Voltage Offset	(Vpeak)	8	8	8	8
Frequency Range	(Hz)	25-70	25-70	25-70	25-70

DC Outputs

Type/Function		Grayhill Part Number	
G5 Manual Override		70G-ODC5MA	70G-ODC24MA
Specifications	Units		
Maximum Line Voltage	Vdc	60	60
Load Voltage Range	Vdc	3-60	3-60
Maximum Off-state Leakage @ 60 Vdc	mA	1.5	1.5
Maximum Turn-on Time	µSec	20	20
Maximum Turn-off Time	µSec	50	50
Nominal Logic Voltage (Vcc)	Vdc	5	24
Logic Voltage Range	Vdc	4-6	18-32
Max. Logic Supply Current @ Nominal Vcc	mA	13	9
Nominal Input Resistance (Rx)	Ω	150	2700
Minimum Drop-Out Voltage	Vdc	1	1
Maximum Reverse Logic Voltage	Vdc	-5	-5
Maximum Clamping Voltage	Vdc	80	80

Available from your local Grayhill Distributor. For prices and discounts, contact a local Sales Office, an authorized local Distributor or Grayhill.